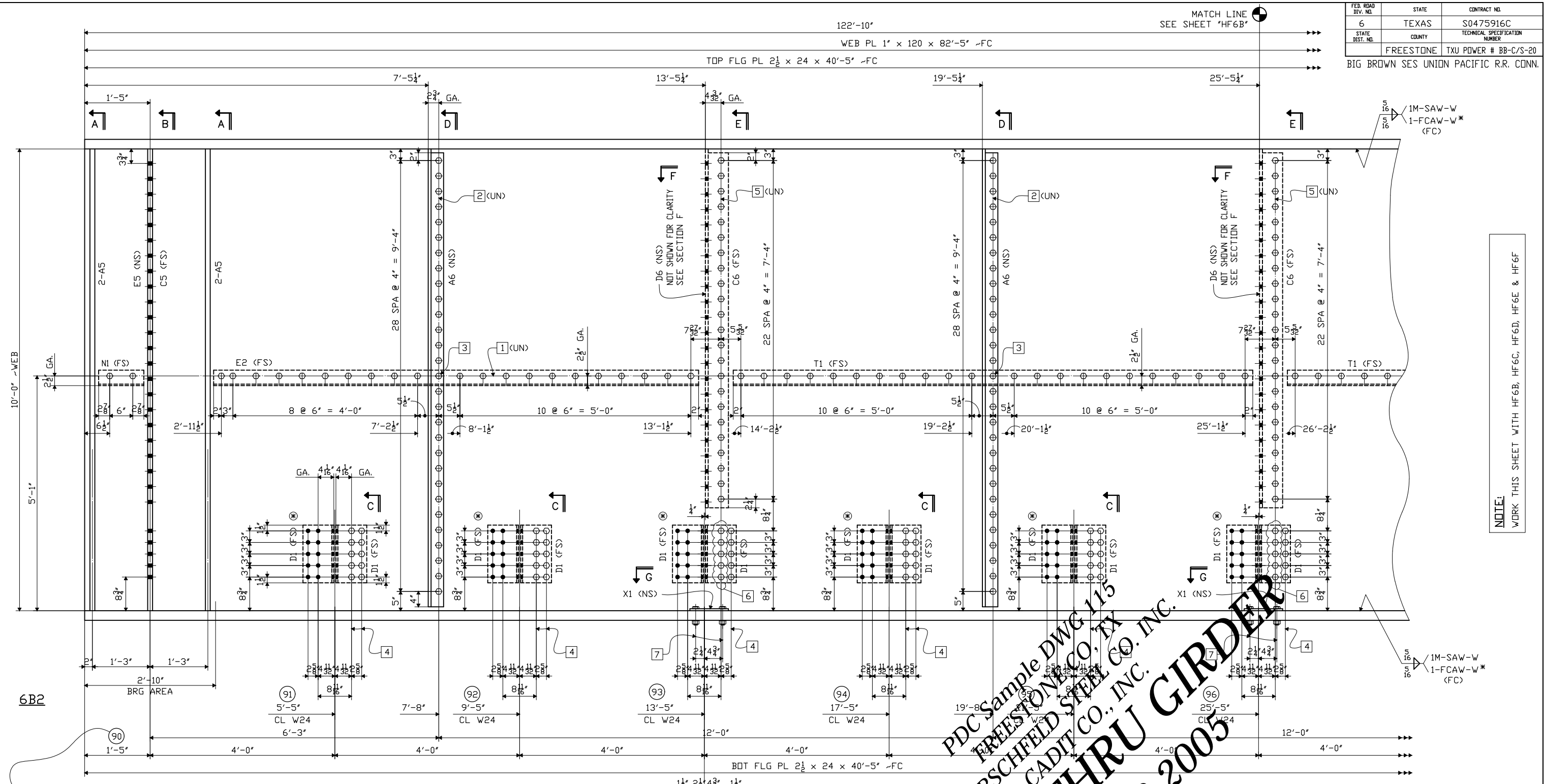


A  
B  
C  
D  
E  
F  
G  
H  
I  
J  
K  
L  
M  
N  
O  
P  
Q  
R  
S  
T  
U  
V  
W  
X  
Y  
Z

FED. ROAD DIV. NO.	STATE	CONTRACT NO.
6	TEXAS	S0475916C
STATE DIST. NO.	COUNTY	TECHNICAL SPECIFICATION NUMBER
	FREESTONE	TXU POWER # BB-C/S-20

BIG BROWN SES UNION PACIFIC R.R. CONN.

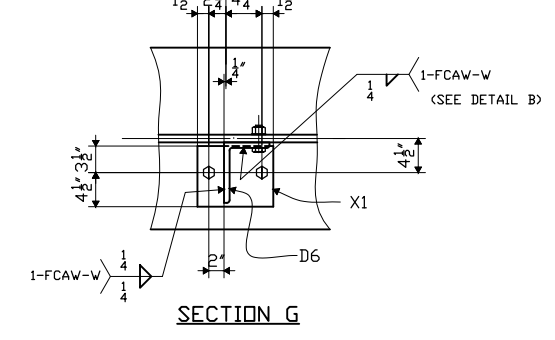
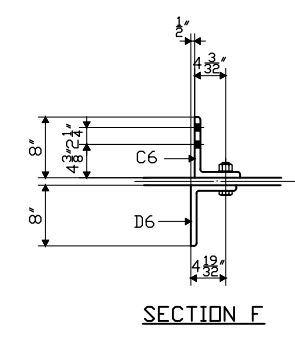


NOTE:  
WORK THIS SHEET WITH HF6B, HF6C, HF6D, HF6E & HF6F

MATCH-MARK SEQUENCE FOR FLOORBEAMS AND KNEE BRACES

LEGEND

- 1 DENOTES 7/8" x 2 3/4" HSBT -BOLT HEADS (NS)
- 2 DENOTES 7/8" x 3 1/4" HSBT -BOLT HEADS (NS)
- 3 DENOTES 7/8" x 3 1/2" HSBT -BOLT HEADS (NS)
- 4 DENOTES 7/8" x 3" HSBT -BOLT HEADS (NS)
- 5 DENOTES 7/8" x 4" HSBT -BOLT HEADS (NS)
- 6 DENOTES 7/8" x 3 3/4" HSBT -BOLT HEADS (NS)
- 7 DENOTES 7/8" x 4 1/2" HSBT -BOLT HEADS (NS)
- ⊗ DENOTES BOLT TO SHIP - 2 BOLTS PER ANGLE



REVISION	DATE	DESCRIPTION OF REVISION	PRINTING
NO. 1			REQ'D FOR DATE
NO. 2			
NO. 3			
NO. 4			
NO. 5			

PDC Sample DWG 115  
 FREESTONE CO., TX  
 CADIT CO., INC.  
 HIRSCHFELD STEEL CO. INC.  
 UPRR THRU GIRDERS  
 UPRR 2005

**HIRSCHFELD STEEL CO. INC.**  
 112 WEST 29TH SAN ANGELO, TEXAS 76903  
 PHONE (915) 653-3211

DESCRIPTION PL GIRDER - SPAN B - LINE 2  
 STRUCTURE UNION PACIFIC RAILROAD CONNECTION  
 BRIDGE - SPUR OVER TEHUACANA CREEK

LOCATION FREESTONE COUNTY, TEXAS  
 ARCHITECT SHAW STONE & WEBBER, INC.  
 SHIP TO CADIT CO, INC.

Customer's Order No. SHEET HF6A  
 Dwg. By: GM Date: 11-05  
 Checked By: PDC/SB Date: 11-05 JOB NO.13096H22