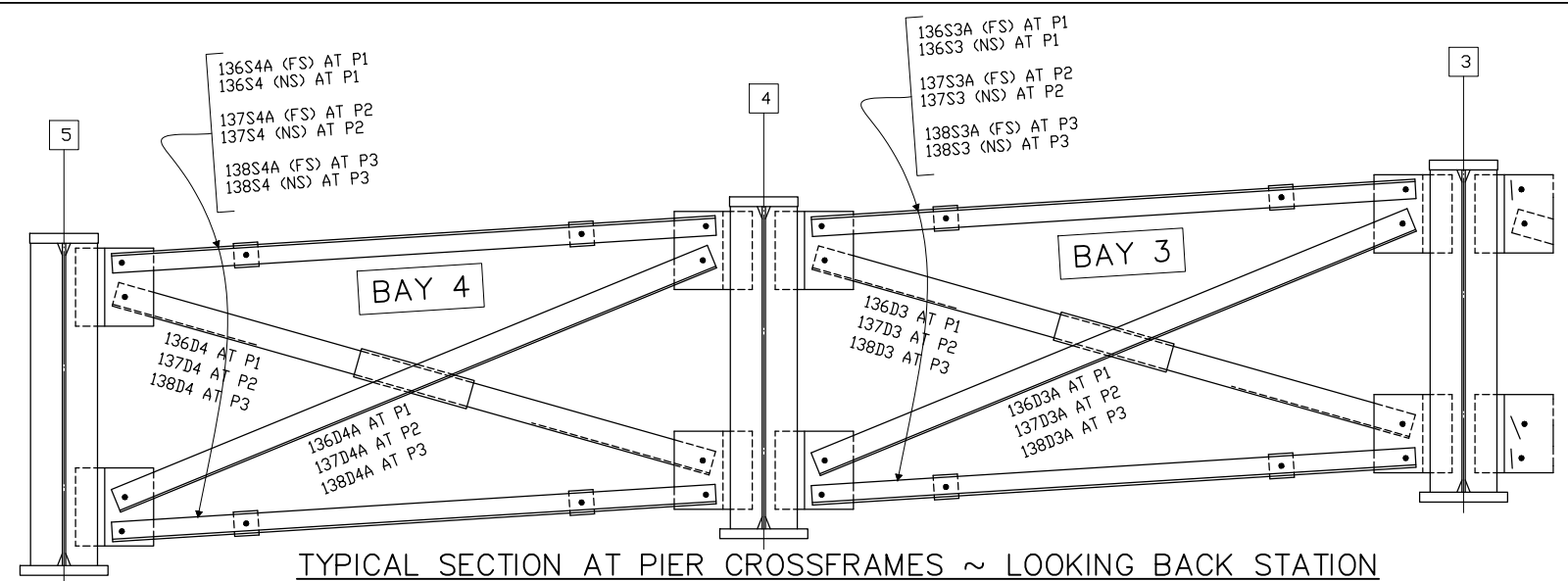


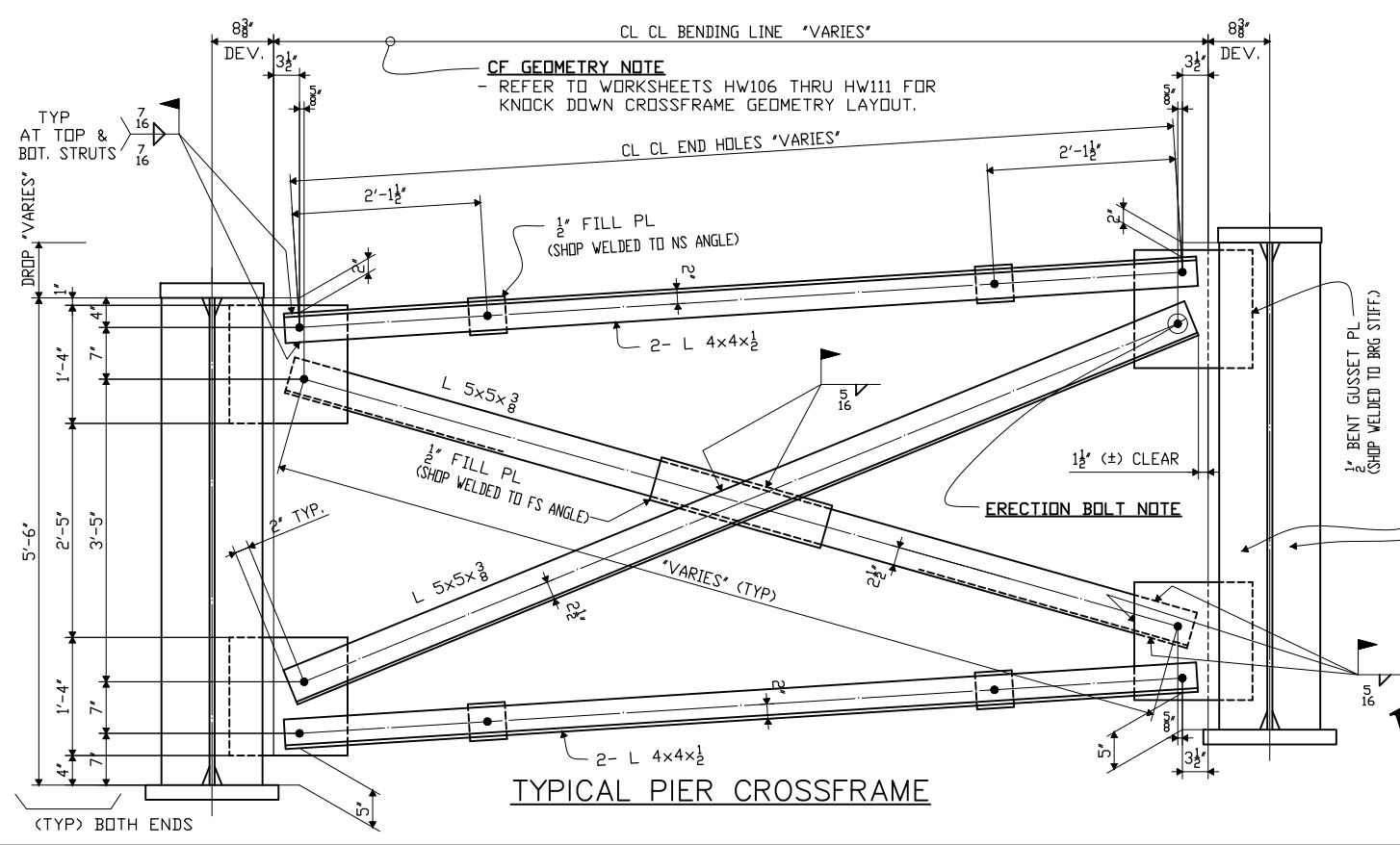
SECTION B4-B4
TYPICAL SECTION AT INT. CROSSFRAMES ~ LOOKING BACK STATION



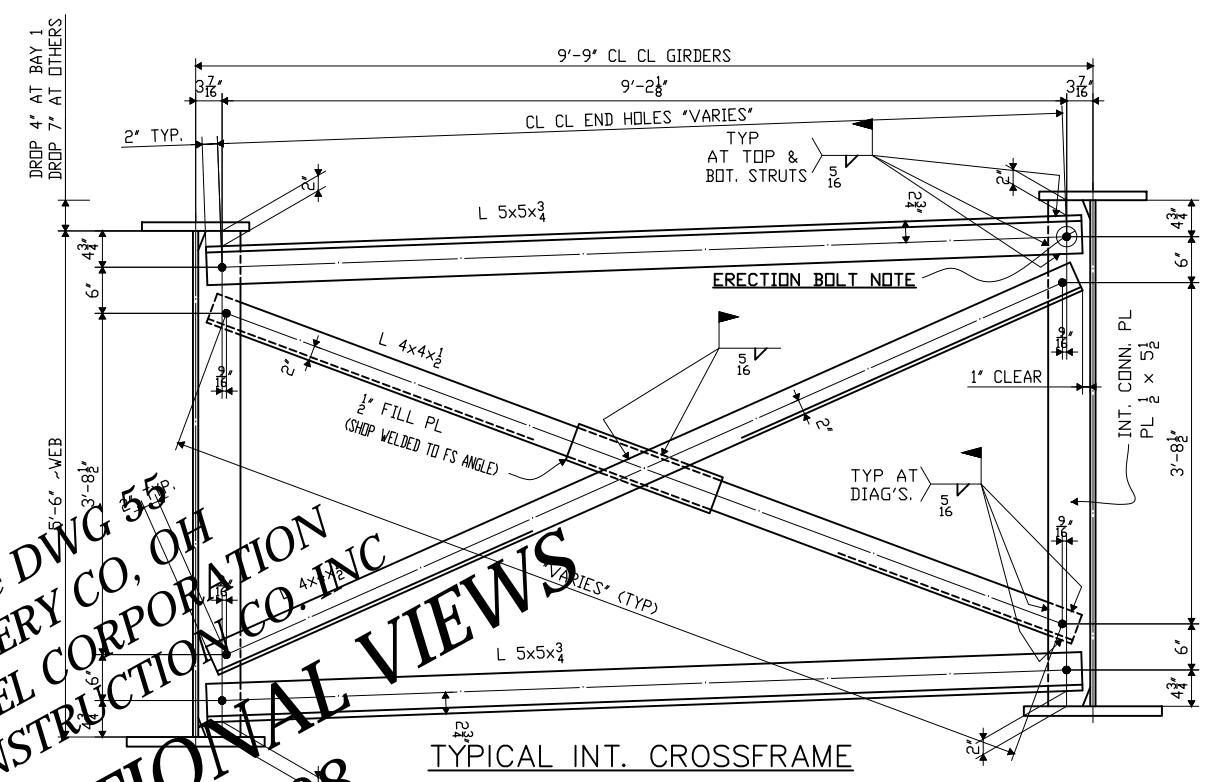
SECTION P1-P1 AT PIER 1
TYPICAL SECTION AT PIER CROSSFRAMES ~ LOOKING BACK STATION

ERECTION BOLT NOTE

- ERECTION BOLTS PROVIDED ARE 3/4" HSBT W/ 2 WASHERS EACH.
- HOLES IN CF MEMBERS AND GIRDER STIFFENERS ARE 1 1/2".
- ERECTION BOLTS SHALL REMAIN IN PLACE. FULLY TORQUE THE BOLTS OR USE A LOCK WASHER IN ADDITION TO THE (2) WASHERS.
- ALL CROSSFRAMES SHALL BE FULLY CONNECTED (FIELD WELDED) PRIOR TO THE DECK POUR.



TYPICAL PIER CROSSFRAME



TYPICAL INT. CROSSFRAME

PDC Sample DWG 55
MONTGOMERY CO, OH
KOKOSING CONSTRUCTION CO, INC
FRAMING SECTIONAL VIEWS
OHIO DOT 2008

DHIO PROJ. No. 387(07)
 MDT-75-13.11
 PID No. 75927
 REF No. 764 ITEM 513
 S.F.N. 5708443
 STATION 588+04.25 TO 592+95.57
 MONTGOMERY COUNTY

FABRICATED BY ABINGDON			ORDER NO. 07-18462H32
HOLES - SHOP FASTENERS			DETAILS OF ERECTION PLAN
SHOP PAINT			PROJECT BRIDGE No. MDT-75-1393
SHOP INSPECTION			RAMP E2 OVER I-75, RAMPS E4 & E5
GENERAL NOTES			LOCATION MONTGOMERY COUNTY, OHIO
			CUSTOMER KOKOSING CONSTRUCTION CO, INC.
			CAROLINA STEEL CORPORATION
			MADE BY GM
			CHECKED BY PDC/SB
			SQUAD LEADER Precise Drafting Co, Inc.
			DATE 01-08
			SHEET HE103