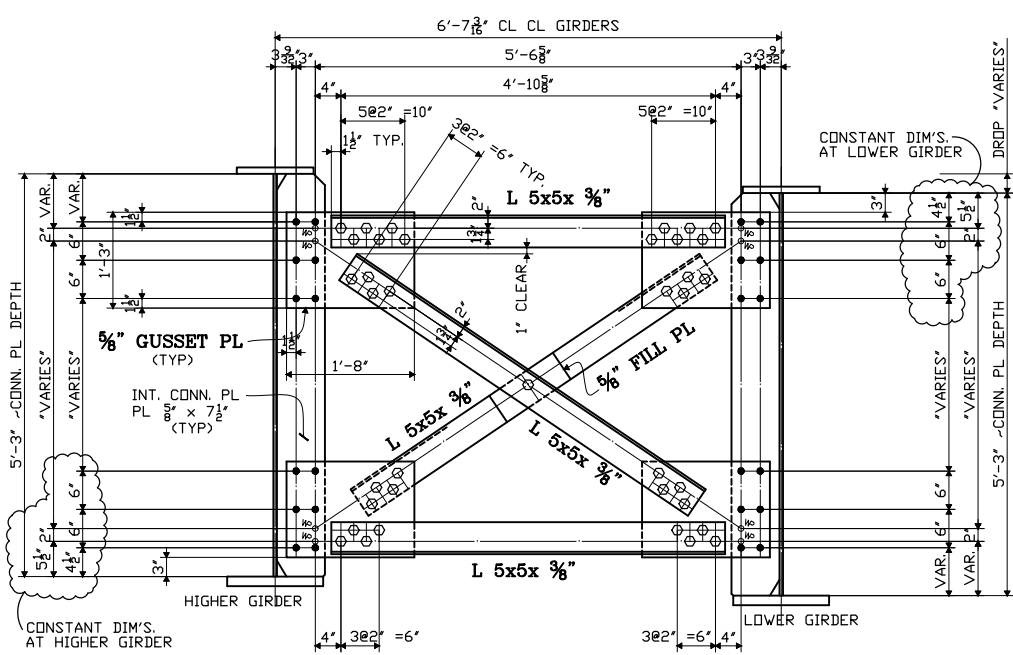
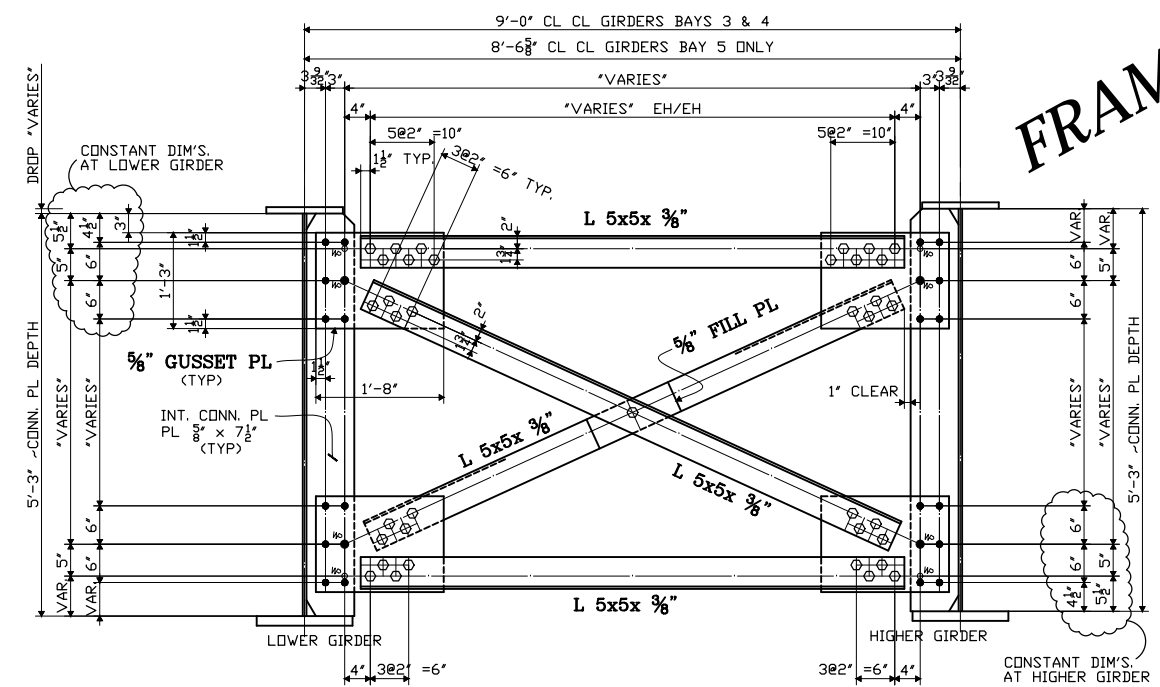


TYP. END CROSSFRAME
 SEE SHEETS HE5 FOR INDIVIDUAL SECTIONS SHOWING SHIPPING MARKS
 SEE DETAILER WORKSHEETS HW9 THRU HW18 FOR DIMENSIONED END CF LAYOUTS



TYP. INT. CF. AT BAYS 1 & 2
 SEE SHEETS HE3 & HE4 FOR INDIVIDUAL SECTIONS SHOWING SHIPPING MARKS
 SEE DETAILER WORKSHEETS HW1 THRU HW8 FOR DIMENSIONED INT. CF LAYOUTS



TYP. INT. CF. AT BAYS 3, 4 & 5
 SEE SHEETS HE3 & HE4 FOR INDIVIDUAL SECTIONS SHOWING SHIPPING MARKS
 SEE DETAILER WORKSHEETS HW1 THRU HW8 FOR DIMENSIONED INT. CF LAYOUTS

PDC Sample DWG 56
 HUNTINGDON CO, PA
 CAROLINA STEEL GROUP, LLC
 L.B. FOSTER
FRAMING SECTIONAL VIEWS
 PENNDOT 2008

FABRICATED BY COLFAX
 HOLES SHOP FASTENERS
 SHOP PAINT
 SHOP INSPECTION
 GENERAL NOTES

REVISIONS			
DATE	NO.	BY	
	R1		

ORDER NO. 08-18573H22
 DETAILS OF ERECTION PLAN
 PROJECT S.R. 0022-001 STA: 443+27.25
 OVER FRANKSTOWN BRANCH JUNIATA RIVER
 LOCATION HUNTINGDON COUNTY, PA
 CUSTOMER L.B. FOSTER
CAROLINA STEEL GROUP, LLC.

MADE BY WS
 CHECKED BY PDC/SB
 SOUND LENER Precise Drafting Co. Inc.
 DATE 12-08 SHEET HE2

PENN DOT EMCS PROJECT No. 23029
 HUNTINGDON COUNTY
 S.R. 0022 SECTION 001
 SEGMENT 0090 OFFSET 0000
 BRIDGE STRUCTURE No. S-27970
 STA: 439+75.26 TO STA: 440+77.23