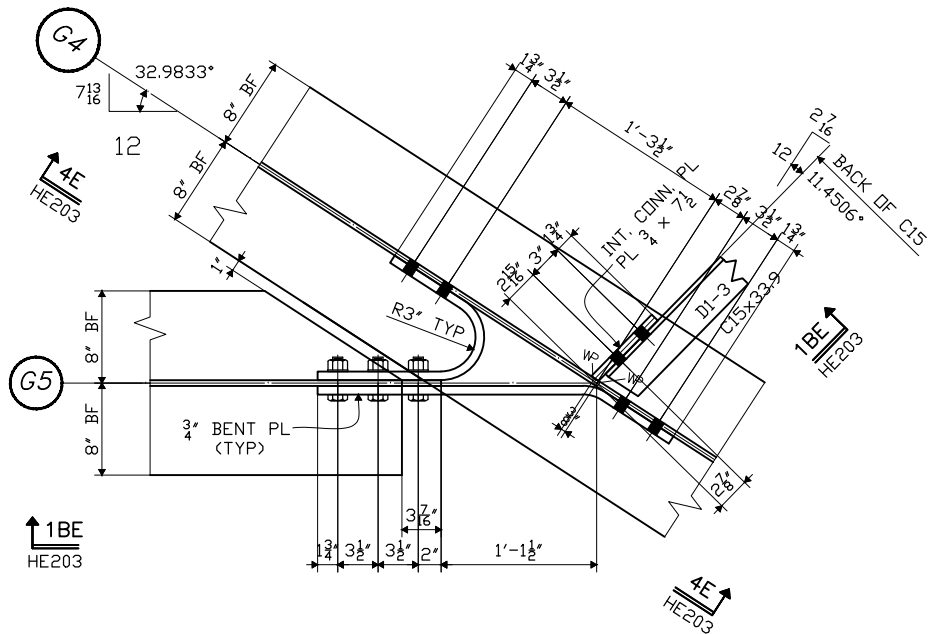
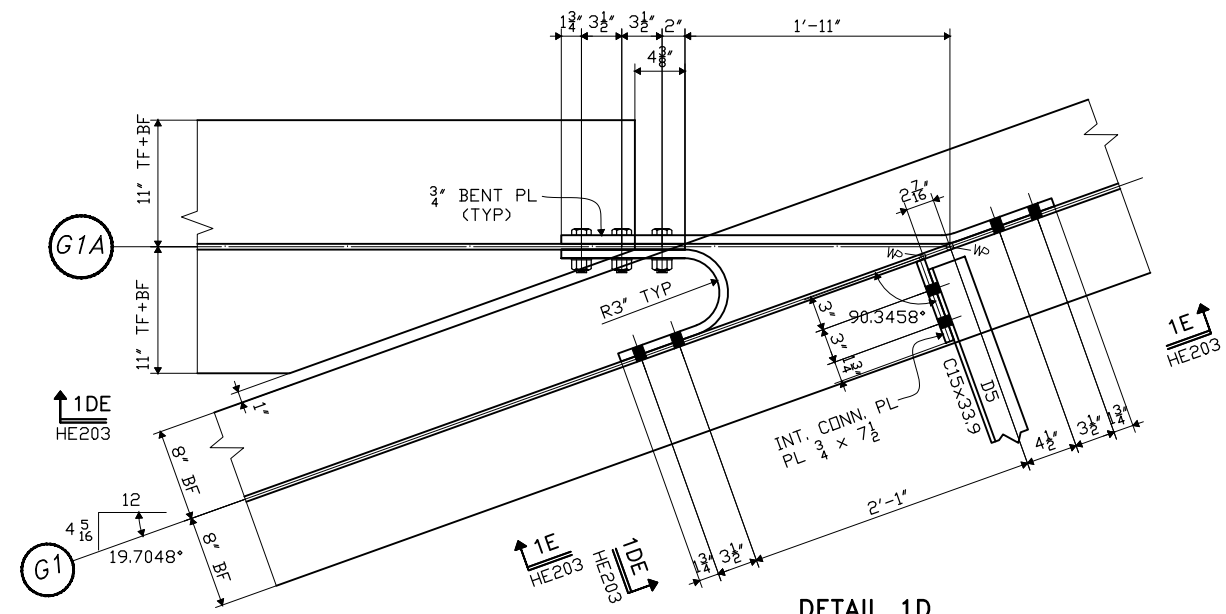


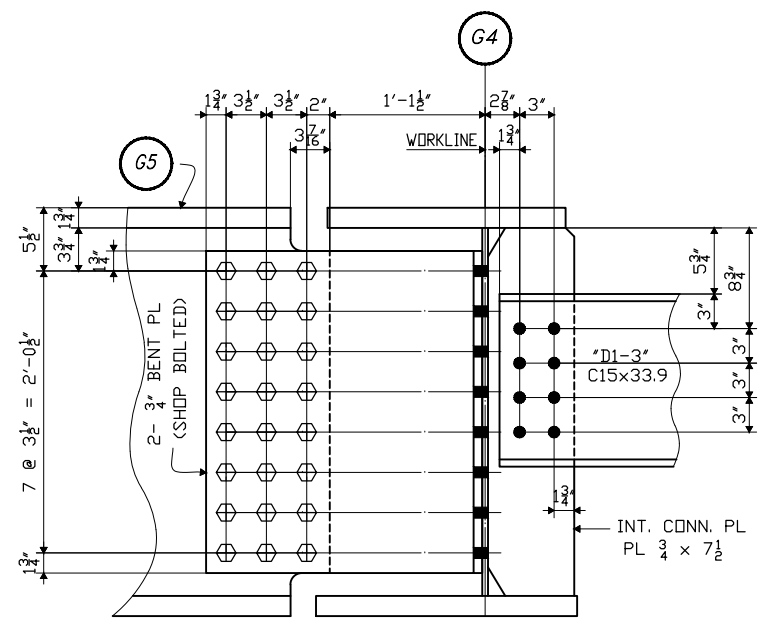
ALL HOLES FOR GIRDER TO GIRDER CONNECTION ARE $1\frac{1}{16}$ " FOR $1"$ H.S. BOLTS. DIAPHRAGM CONNECTIONS TO HAVE $1\frac{1}{8}$ " HOLES FOR $\frac{7}{8}"$ H.S. BOLTS.



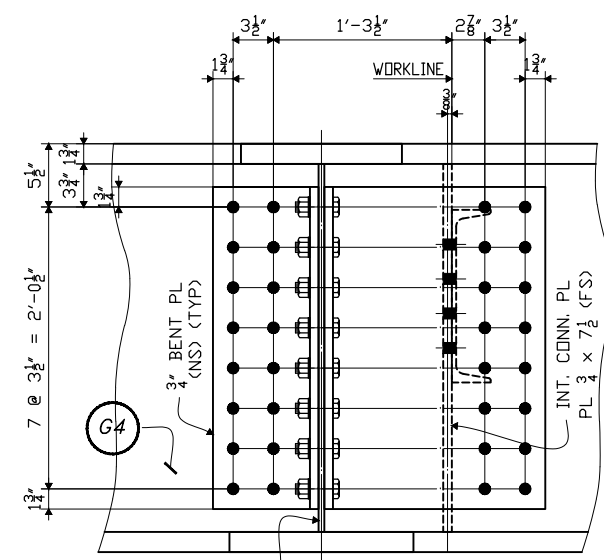
DETAIL 1B



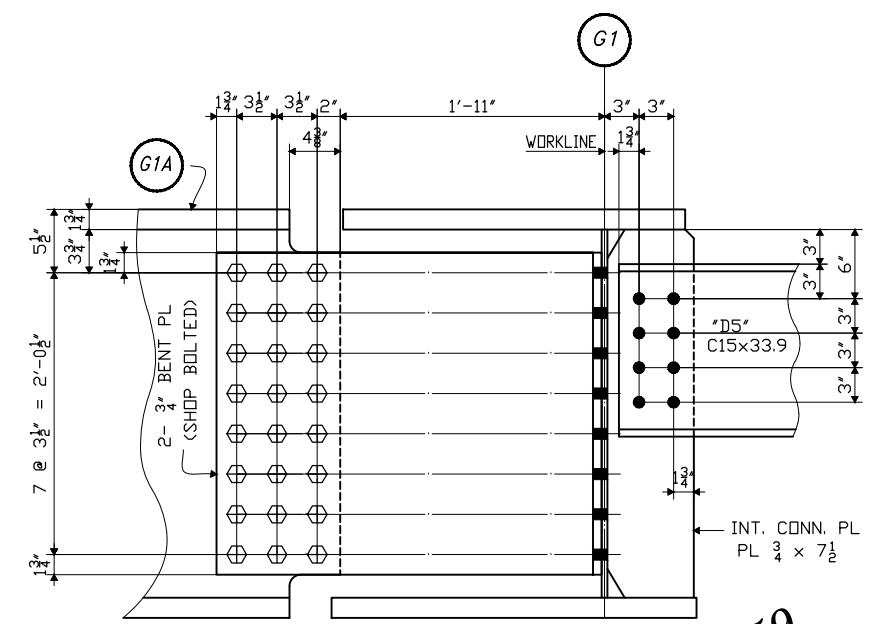
DETAIL 1D



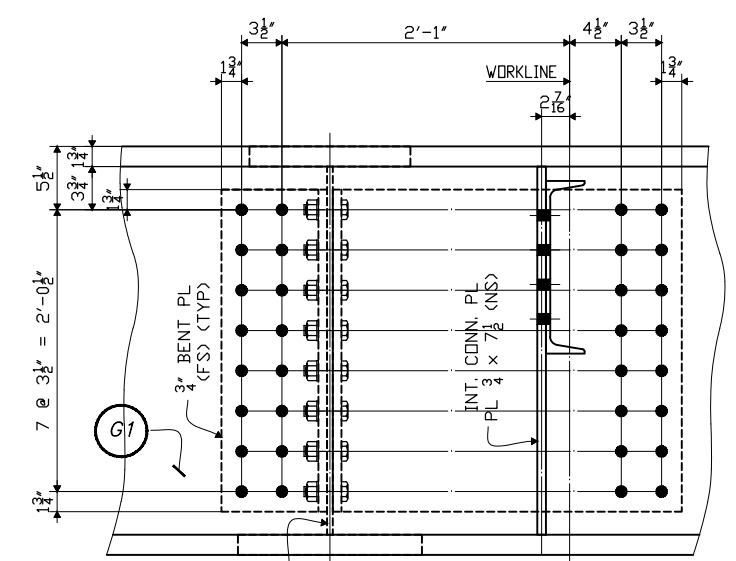
SECTION 1BE-1BE



SECTION 4E-4E



SECTION 1DE-1DE



SECTION 1E-1E

PDC Sample DWG 59
 ALLEGHENY CO, PA
 HIRSCHFELD INDUSTRIES
 TRUMBULL CORPORATION
FRAMING SECTIONAL VIEWS
 PENNDOT 2011

FABRICATED BY COLFAX		
HOLES SHOP FASTENERS		
SHOP PAINT		
SHOP INSPECTION		
GENERAL NOTES		
REVISIONS		
DATE	NO.	BY
	R1	

PADOT ECMS 27179
 S.R. 0028 SECTION A09
 NB SEG. 0050 OFFSET 0007
 SB SEG. 0041 OFFSET 1619
 SR 0028 STA 152+21.17
 STRUCTURE No. S-27983 (RAMP D)
 STA: 50+44.76 TO STA: 51+32.50

ORDER NO. 11-18718H32
 DETAILS OF STEEL ERECTION PLAN
 RAMP D TRANSITION

PROJECT S.R. 2122- 31st STREET BRIDGE OVER
 CSX AND N.S.R.R. AND ALLEGHENY RIVER
 LOCATION ALLEGHENY COUNTY, PA
 CUSTOMER TRUMBULL CORPORATION
HIRSCHFELD INDUSTRIES
 BRIDGE
 GREENSBORO, NC (336) 275-9711

MADE BY GM
 CHECKED BY PDC/SB
 SOUND LEADER Precise Drafting Co, Inc.
 DATE 10-2011

SHEET HE203