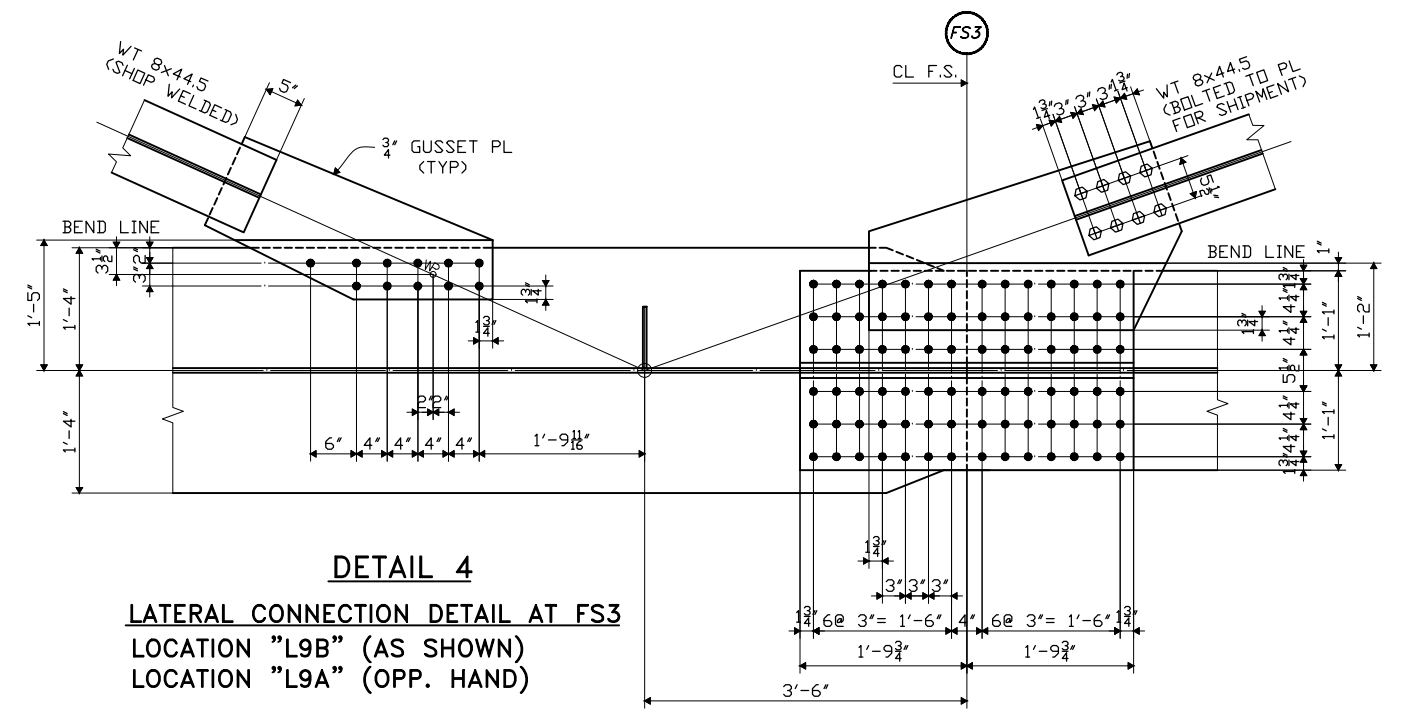
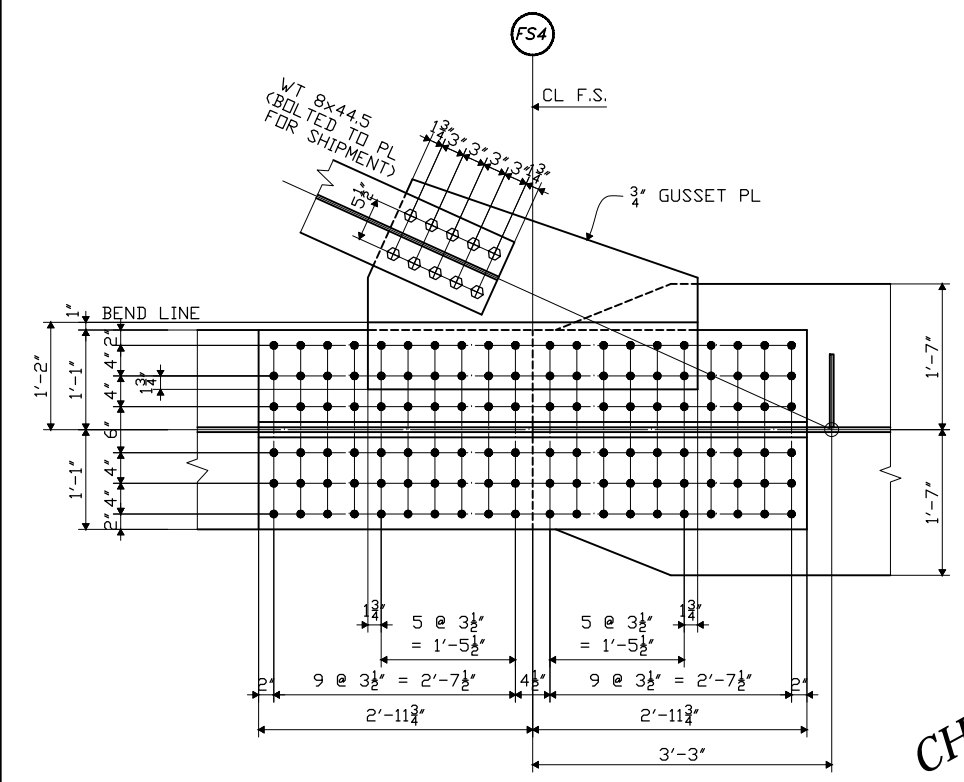


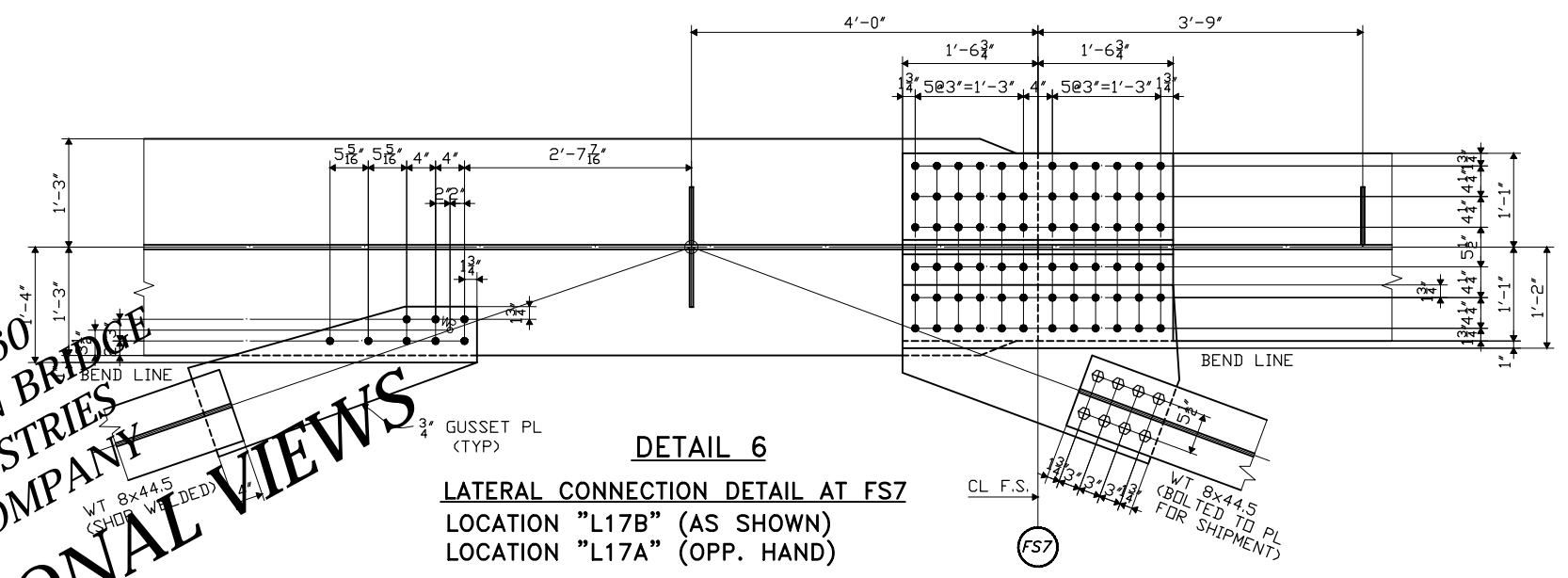
**DETAIL 3**  
**LATERAL CONNECTION DETAIL AT FS2**  
 LOCATION "L3B" (AS SHOWN)  
 LOCATION "L3A" (OPP. HAND)



**DETAIL 4**  
**LATERAL CONNECTION DETAIL AT FS3**  
 LOCATION "L9B" (AS SHOWN)  
 LOCATION "L9A" (OPP. HAND)



**DETAIL 5**  
**LATERAL CONNECTION DETAIL AT FS4**  
 LOCATION "L13B" (AS SHOWN)  
 LOCATION "L13A" (OPP. HAND)



**DETAIL 6**  
**LATERAL CONNECTION DETAIL AT FS7**  
 LOCATION "L17B" (AS SHOWN)  
 LOCATION "L17A" (OPP. HAND)

**PDC Sample DWG 60**  
**CHARLEROI-MONESSEN BRIDGE**  
**HIRSCHFELD INDUSTRIES**  
**JOSEPH B. FAY COMPANY**  
**FRAMING SECTIONAL VIEWS**  
**PENNDOT 2011**

FABRICATED BY ABINGDON  
 HOLES \_\_\_\_\_ SHOP FASTENERS \_\_\_\_\_  
 SHOP PAINT \_\_\_\_\_  
 SHOP INSPECTION \_\_\_\_\_  
 GENERAL NOTES \_\_\_\_\_

DATE	NO.	BY	REVISIONS
	R1		

STRUCTURE No. S-30378  
 S.R. 2018 SECTION A10  
 SEG. 0010 OFFSET 0089  
 STA: 305+12.45 TO STA: 315+23.55

ORDER NO. 11-18684H22  
 DETAILS OF STEEL ERECTION PLAN

PROJECT CHARLEROI-MONESSEN BRIDGE  
 STA: 309+33.26 OVER THE MONONGAHELA RIVER  
 LOCATION WASHINGTON & WESTMORELAND CO, PA  
 CUSTOMER JOSEPH B. FAY COMPANY

**HIRSCHFELD INDUSTRIES**  
 BRIDGE  
 GREENSBORO, NC (336) 275-9711

MADE BY GM  
 CHECKED BY PDC/SB  
 SOUND LEADER Precise Drafting Co, Inc.  
 DATE 04-2011

SHEET HE 4